



# BAF Capabilities Overview

Small Volume Manufacturer – Dedicated CNG Systems  
John Sledge, General Sales Manager



***BAF Technologies*** is the leading national provider of  
natural gas vehicle upfits on Ford products in the  
United States.

**BAF provides:**

- CNG Fuel Systems
- Vehicle Conversions
- Product Development
- Service & Warranty
- Training & Support
- Application Engineering



# Vehicles and Engines

## ✧ Ford

- 2006-2008 CNG Crown Victoria, Mercury Grand Marquis, Lincoln Town Car – CARB and EPA
- 2008 CNG F150/250/350, 5.4L pick-up – CARB and EPA
- 2007-2008 CNG E350, 5.4L van – CARB and EPA
- 2007-2008 CNG E450, 6.8L shuttle – CARB and EPA

## ✧ GM

- 2008 CNG C4500 / C5500, 8.1L shuttle – CARB and EPA (Baytech System)





# Dedicated CNG

## *Town Car, Crown Victoria, Grand Marquis*

### ✧ MY 2006-08

- Ford Town Car, Crown Victoria, Grand Marquis
- 4.6L
- *BAF CalComp System*
- Fuel Capacity up to 15.9 GGE
- CARB/EPA Certified SULEV
- HOV eligible in many states



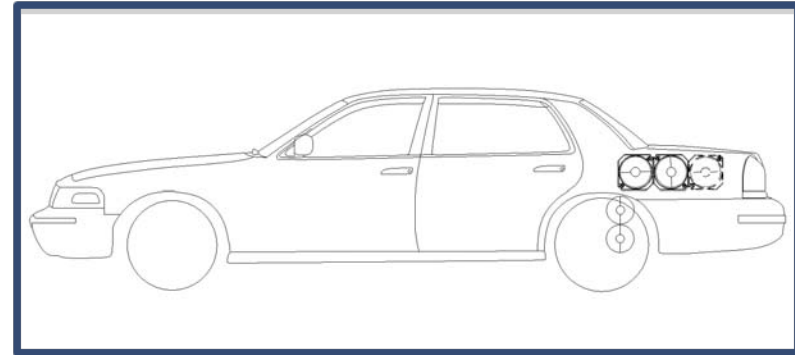


# Dedicated CNG

*Crown Victoria, Town Car, Grand Marquis*

## ✧ Additional Specifications

- CARB and EPA certified
- Certified to CARB SULEV standard
- OBD-II compliant
- Limited Warranty – 3yr/50,000 miles
- Standard Fuel Capacity – 12.4 GGE
- Net Weight Change – 425 lbs. (Estimate)





# Dedicated CNG

## *Ford F150/250/350 Pickup*

✧ MY 2008

- Ford F150/250/350
- 5.4L V8
- *BAF CalComp System*
- 15.5 GGE Standard Fuel Package
- Up to 31 GGE w/ Optional Additional Tank(s)
- CARB/EPA Certified SULEV
- HOV eligible in many states



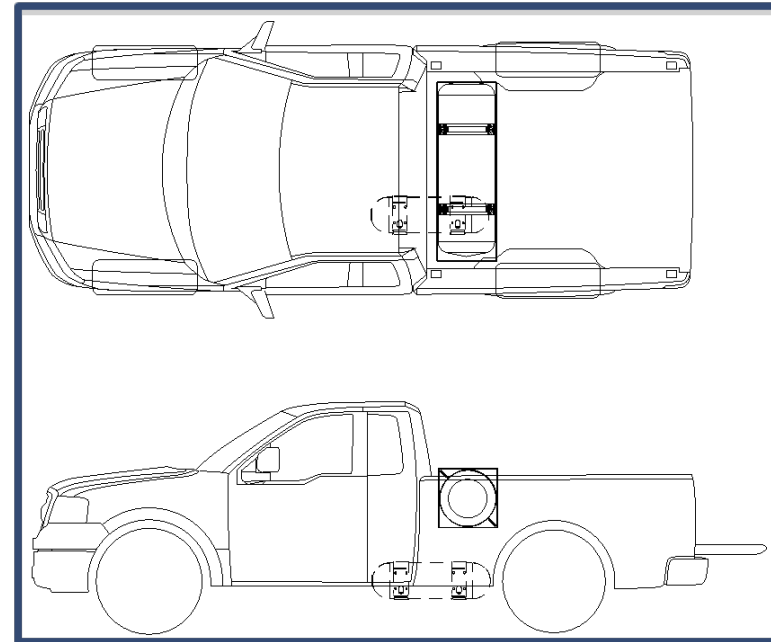


# Dedicated CNG

## *Ford F150 Pickup*

### ✧ Additional Specifications

- CARB and EPA certified
- Certified to CARB SULEV standard
- OBD-II compliant
- Limited Warranty – 3yr/50,000 miles
- Standard Fuel Capacity – 15.5 GGE
- Net Weight Change – 300 lbs. (Estimate)



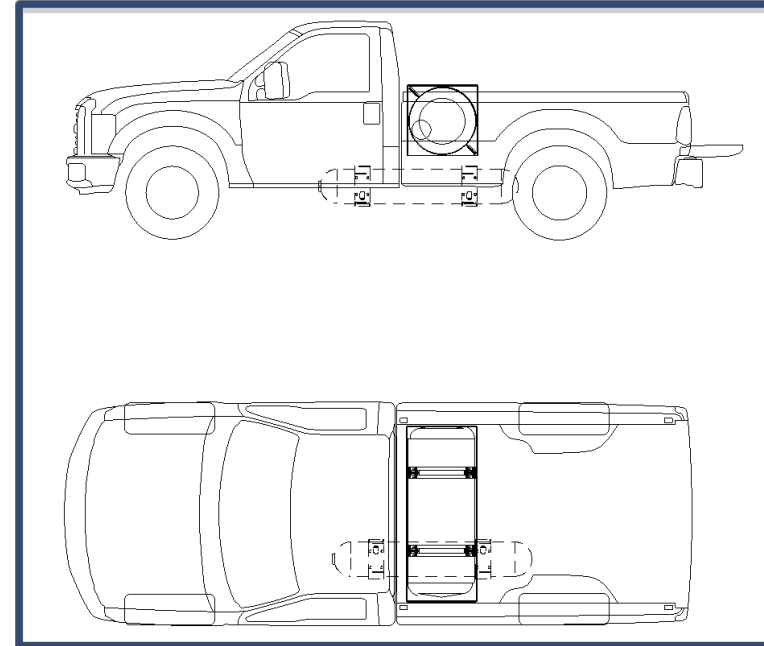


# Dedicated CNG

## *Ford F250/350 Pickup*

### ✧ Additional Specifications

- CARB and EPA certified
- Certified to CARB SULEV standard
- OBD-II compliant
- Limited Warranty – 3yr/50,000 miles
- Standard Fuel Capacity – 15.5 GGE
- Optional Fuel Capacity – Up to 31 GGE
- Net Weight Change – 300 lbs. (Estimate for Standard Fuel Capacity)







# Dedicated CNG

## *Ford E350 Van*

※ MY 2007-08

- Ford E350 5.4L Van
- Standard 12-15 Passenger or Cargo Van
- *BAF CalComp System*
- 20 GGE Fuel Capacity Standard
- CARB/EPA Certified SULEV
- HOV eligible in many states



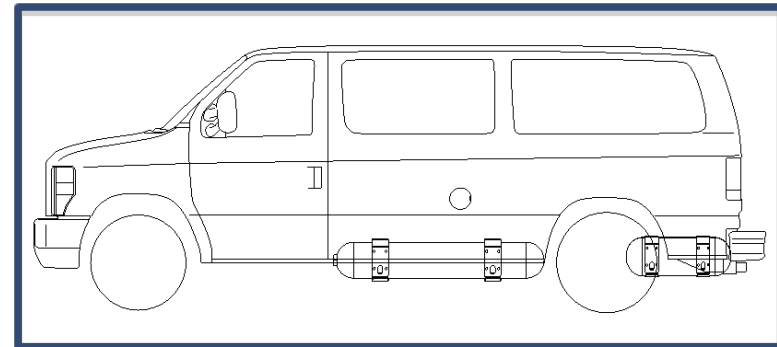


# Dedicated CNG

## *Ford E350 Van*

### ※ Additional Specifications

- Available as cargo or passenger van
- CARB and EPA certified
- Certified to CARB SULEV standard
- OBD-II compliant
- Limited Warranty – 3yr/50,000 miles
- Standard Fuel Capacity – 20.0 GGE
- Net Weight Change – 600 lbs. (Estimate)





# Dedicated CNG

## *Ford E450*

### ✧ MY 2008

- Ford E450
- 6.8L V10 Engine
- *BAF CalComp System*
- Clean Fuel Fleet ULEV EPA/  
CARB Certified
- Standard fuel capacity 26-29  
GGE
- CARB/EPA Certified ULEV
- HOV eligible in many states



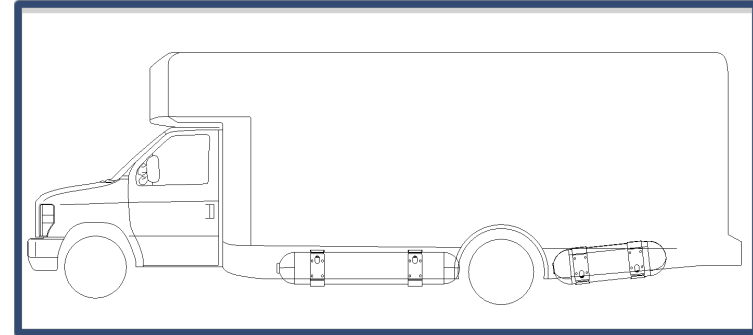


# Dedicated CNG

## *Ford E450*

### ※ MY 2008

- CARB and EPA certified
- Certified to CARB SULEV standard
- Limited Warranty – 3yr/50,000 miles
- 176”+ Wheel Base: Standard Fuel Capacity – 29 GGE
- 158” Wheel Base: Standard Fuel Capacity – 27 GGE
- Horsepower – 246 @ 4200 rpm
- Torque – 352 @ 3250 rpm
- Net Weight Change – 425 lbs. (Estimate)





# Dedicated CNG *GM 8.1L Shuttle*

## ✧ MY 2008

- GM 8.1L
- Vortec 8100
- Baytech Systems Technology
- Standard fuel capacity 47 GGE
- CARB/EPA Certified ULEV
- HOV eligible in many states





# BAF CalComp System™



- ✘ Proprietary CNG fuel system
- ✘ CARB, EPA OBD-II
- ✘ SULEV for light-duty vehicles
- ✘ Fully integrated to OEM powertrain control system
- ✘ Closed-loop fuel control
- ✘ Sequential fuel injection (SFI)
- ✘ Optimized ignition timing
- ✘ Maintains OEM fault codes (DTCs)
- ✘ Diagnostics accessed through DLC using original scan tool or any generic OBD-II scanner



# Why CARB?

- ✘ California Air Resources Board
- ✘ More stringent regulations than EPA concerning the manufacture, sale and installation of fuel engine systems
- ✘ 16 other states have adopted these standards with more states considering
  - Arizona, Colorado, Connecticut, Florida, Maine, Massachusetts, Maryland, New Jersey, New Mexico, New York, Oregon, Pennsylvania, Rhode Island, Utah, Vermont, Washington
- ✘ Non-certified systems are considered “tampering with a federally approved emission control system” by EPA
- ✘ Rigorous certification process ensures the retrofitted vehicle meets same stringent emissions and safety requirements the OEMs met and work seamlessly with on-board diagnostics (OBD) system
- ✘ Only two small vehicle manufacturers in the US have CARB certified vehicles



# Service, Warranty, Training

## ✧ Warranty

- 3 years or 50,000 miles on major components
- 7 years or 70,000 miles on CNG Emission-Related Components
- OEM Warranty is NOT VOIDED after CNG upfit

## ✧ Vehicle Service

- In-house warranty service program
- Dealer service provider
- Local retail service center

## ✧ Technical and Operator Training

- On-site or BAF facility
- Classroom and hands-on





# Nationwide Capacity for Sales, Upfits, Service





# Partners

## Converters/Dealers



## Dealerships





# Turnkey Purchasing Process

Vehicle is ordered through local dealership  
with CNG Option

Dealership Arranges CNG Upfit with BAF



# BAF Future Solutions

## *R & D Overview*

- ※ EPA & CARB Certification/Verification on Additional Vehicles – Possibly for consumer use.
- ※ Hythane (80% CNG/20% Hydrogen) Fuel use on Ford E450 Shuttle Vans at SFO
- ※ Dual Fuel/Smart Muffler Technology to reduce Diesel Emissions
- ※ Electric Launch Assist



# Contact Information

## Central/Eastern US

**Bill Calvert**  
**Vice President, Sales**

-  214.231.1458 (office)
-  502.541.4855 (mobile)
-  [bcalvert@BAFtechnologies.com](mailto:bcalvert@BAFtechnologies.com)

## Western US

**John Sledge**  
**General Sales Manager**

-  214.231.1450 (office)
-  714.376.8143 (mobile)
-  [jsledge@BAFtechnologies.com](mailto:jsledge@BAFtechnologies.com)



**Thank You**

[BAFtechnologies.com](http://BAFtechnologies.com)